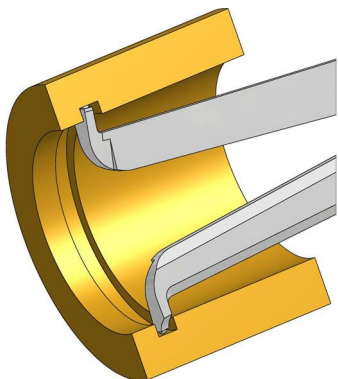
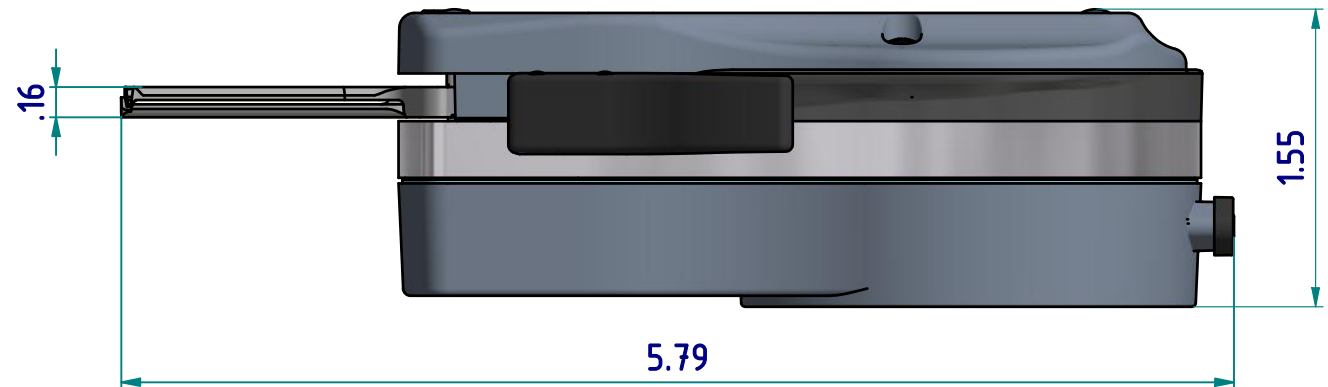
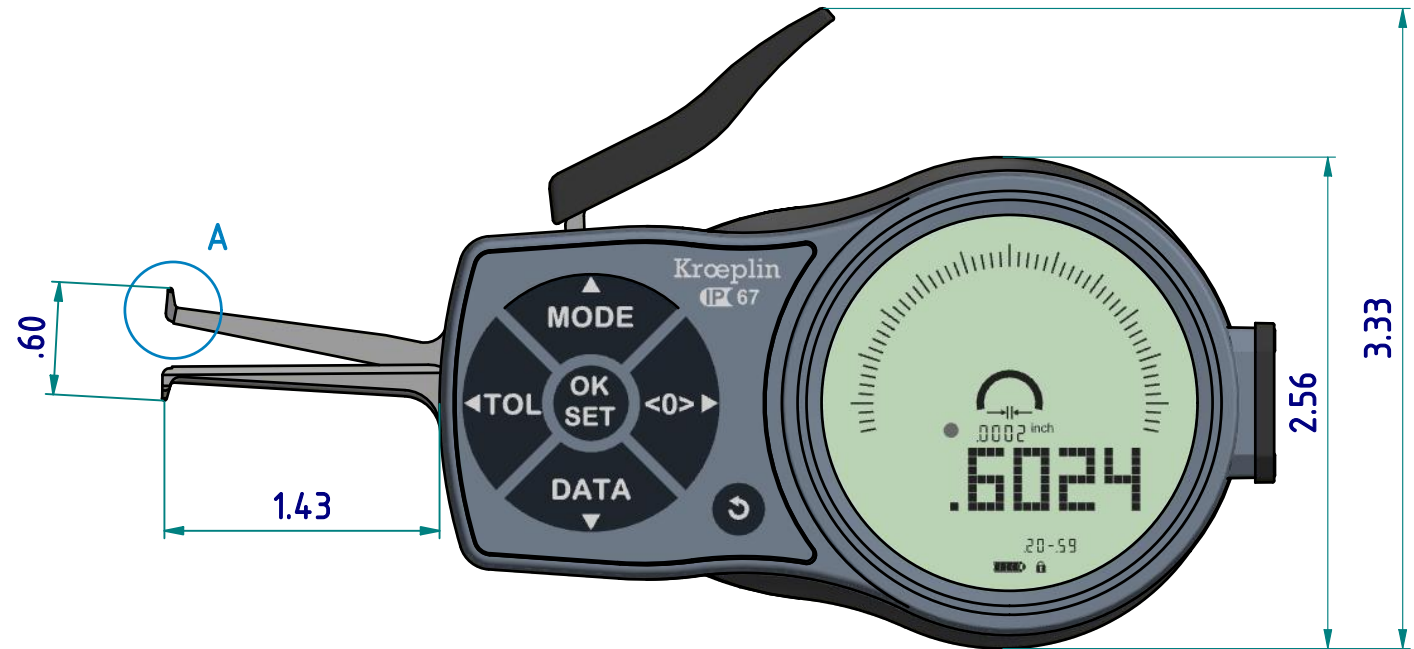
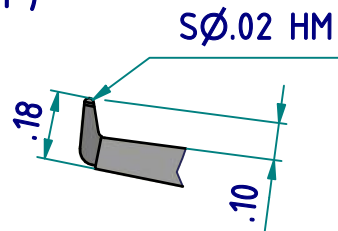


A (2 : 1)



subject to technical alterations

type: L
range: .20 - .59 INCH
range of indication: .1850 - .6024 INCH
digital step: .0002 INCH
scale interval: -
measuring force: 0,8 - 1,2 N
weight: 250 g

acceptable deviations
VDI/VDE/DGQ 2618 Bl. 12.1/13.1)
max. permissible errors "G": .0008 INCH
repeatability "r": .0002 INCH
reference temperature: 20° C
operation temperature: 10° C - 30° C
storage temperature: -10° C - 50° C

scale: 1:1
drawing-nr.: DAB-L105-K-i
date of issue: 06.05.2020
name: B. Schmidt
revision status: 001
revision date: 23.09.2020

measuring capacity

measuring range Meb [INCH]

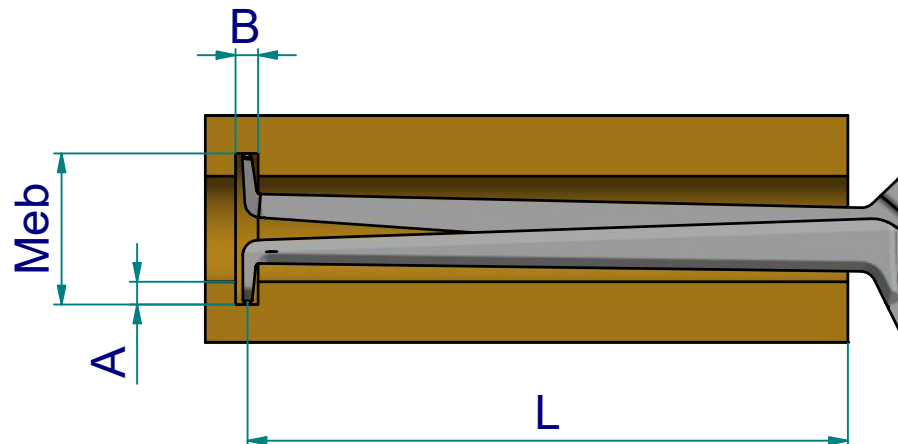
groove depth A [INCH]	measuring range Meb [INCH]										
	.20	.24	.28	.31	.35	.39	.43	.47	.51	.55	.59
0	0 / 1.31	0 / 1.31	0 / 1.31	0 / 1.33	0 / 1.34	0 / 1.35	0 / 1.37	0 / 1.38	0 / 1.39	0 / 1.40	0 / 1.41
.008		.03 / 1.28	.03 / 1.29	.03 / 1.31	.03 / 1.33	.03 / 1.34	.03 / 1.36	.03 / 1.37	.03 / 1.38	.03 / 1.39	.03 / 1.40
.016		.04 / 1.20	.03 / 1.20	.03 / 1.33	.03 / 1.31	.03 / 1.33	.03 / 1.34	.03 / 1.36	.03 / 1.37	.03 / 1.39	.03 / 1.40
.024			.04 / 1.10	.04 / 1.19	.04 / 1.28	.04 / 1.31	.04 / 1.33	.04 / 1.35	.04 / 1.36	.04 / 1.38	.04 / 1.39
.031			.04 / .95	.04 / 1.04	.04 / 1.16	.04 / 1.28	.04 / 1.32	.04 / 1.33	.04 / 1.35	.04 / 1.37	.04 / 1.38
.039			.05 / .84	.05 / .90	.04 / 1.00	.04 / 1.15	.04 / 1.31	.04 / 1.32	.04 / 1.34	.04 / 1.36	.04 / 1.37
.047				.05 / .76	.05 / .84	.04 / .96	.04 / 1.16	.04 / 1.29	.04 / 1.32	.04 / 1.35	.04 / 1.36
.055				.06 / .61	.05 / .68	.05 / .78	.05 / .94	.04 / 1.19	.04 / 1.30	.04 / 1.33	.04 / 1.35
.063					.06 / .52	.05 / .60	.05 / .72	.05 / .91	.05 / 1.26	.04 / 1.31	.04 / 1.34
.071					.07 / .36	.06 / .41	.05 / .50	.05 / .63	.05 / .89	.05 / 1.28	.05 / 1.32
.079					.08 / .20	.07 / .23	.06 / .30	.06 / .35	.06 / .50	.05 / .84	.05 / 1.30
.087						.09 / .05	.08 / .06	.07 / .07	.07 / .11	.05 / .18	.06 / .65
	B / L										

B = minimum groove width [INCH]

L = maximum usable arm length [INCH]

Example: Meb = .31 B = .03

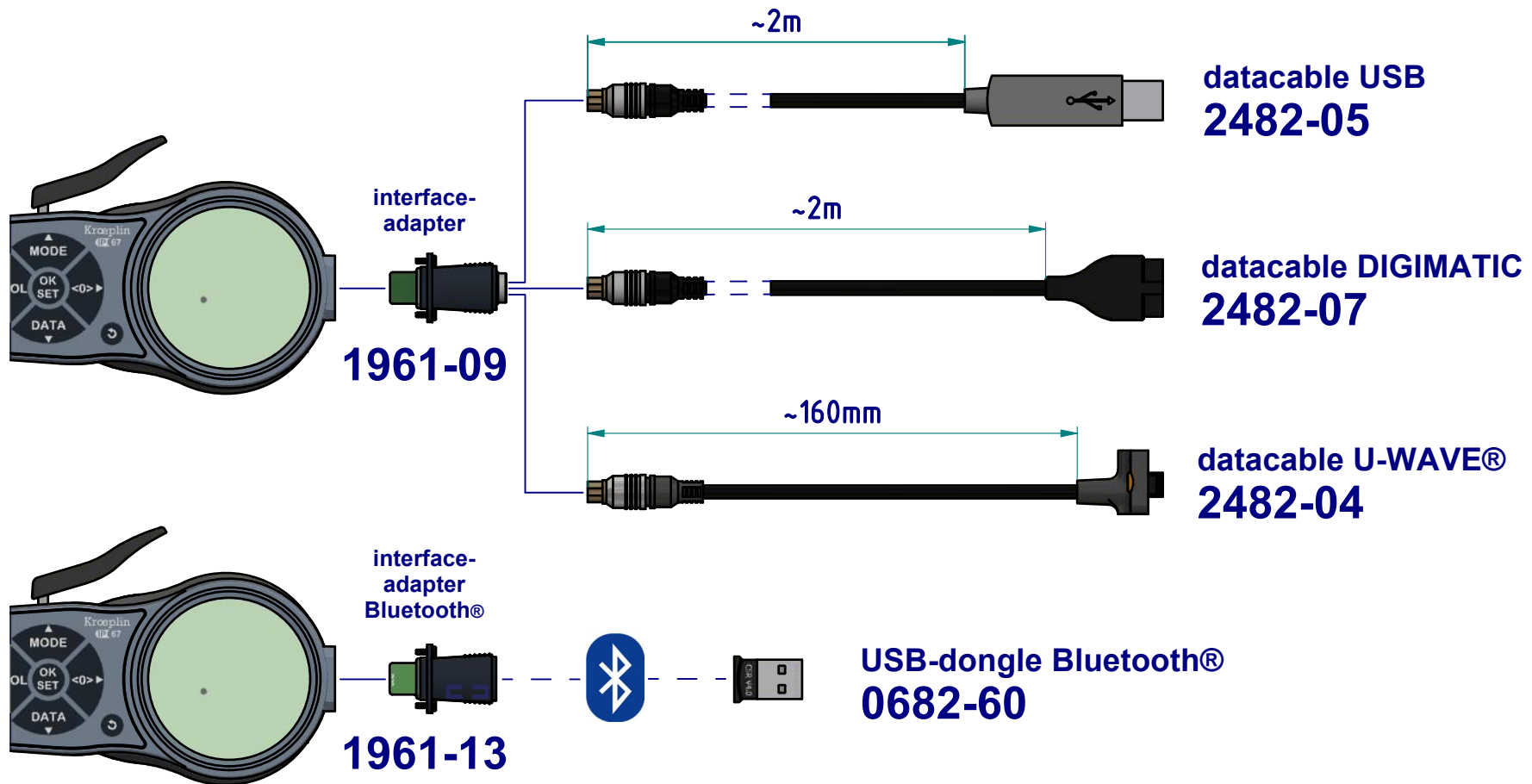
A = .016 L = 1.33



subject to technical alterations

drawing-nr.:	DAB-L105-K-i
date of issue:	06.05.2020
name:	B. Schmidt
revision status:	001
revision date:	23.09.2020

interface as accessories available:



subject to technical alterations

drawing-nr.:	DAB-L105-K-i
date of issue:	06.05.2020
name:	B. Schmidt
revision status:	001
revision date:	23.09.2020