



Caliper mid size

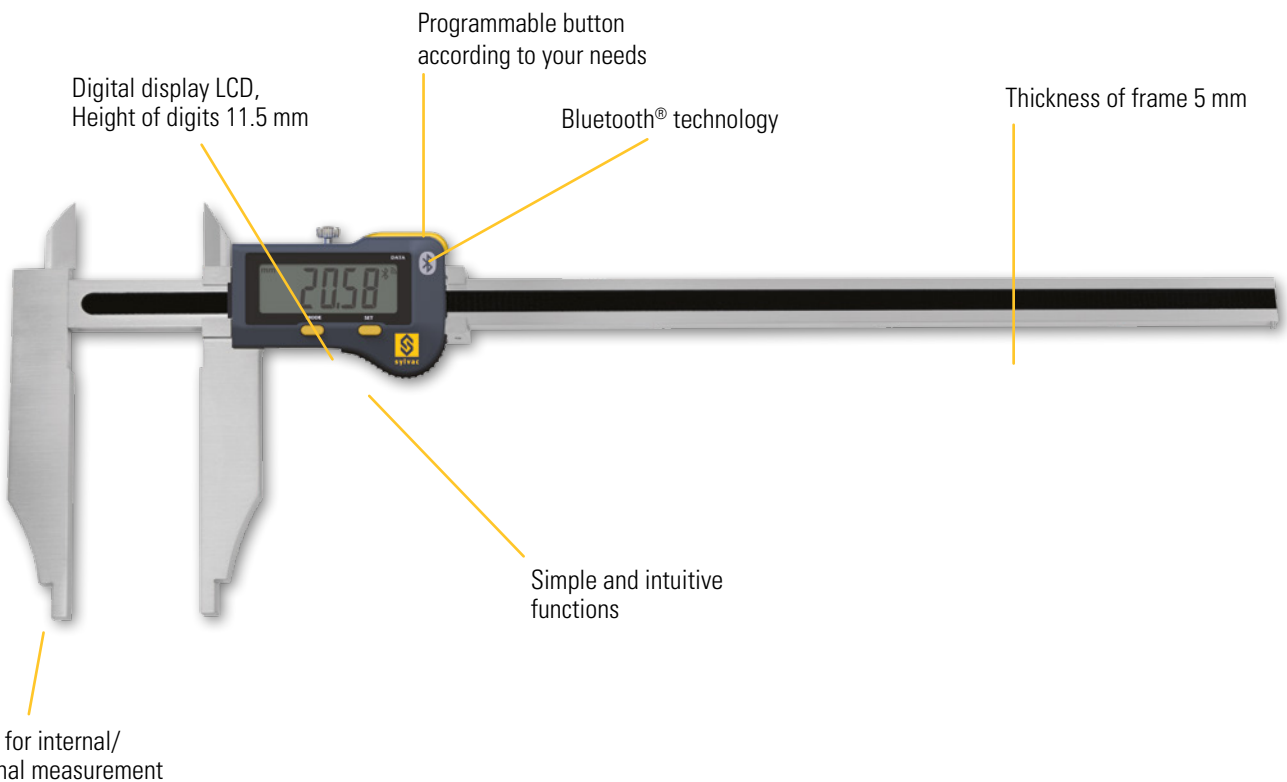
S_Cal EVO Form B

DESCRIPTION

MID SIZE CALIPER R5 WITH UPPER JAWS

- High-quality, ergonomic caliper with integrated Bluetooth® system
- Equipped with long 100 mm beaks free at the end for measuring both external and internal dimensions from 10.1 mm and small top beaks for measuring internal dimensions.
- Hardened and ground stainless steel rod 5 mm thick
- New extra-large display unit with 11.5 mm high digits
- Convenient push button for sending data that can also be programmed with another function
- Memorising the home position even when the instrument is switched off
- Measuring range 300 and 500 mm
- Protection class IP67

C



ISO 13385-1



Mid size caliper with upper jaws



IP67

* SIS description on page 5

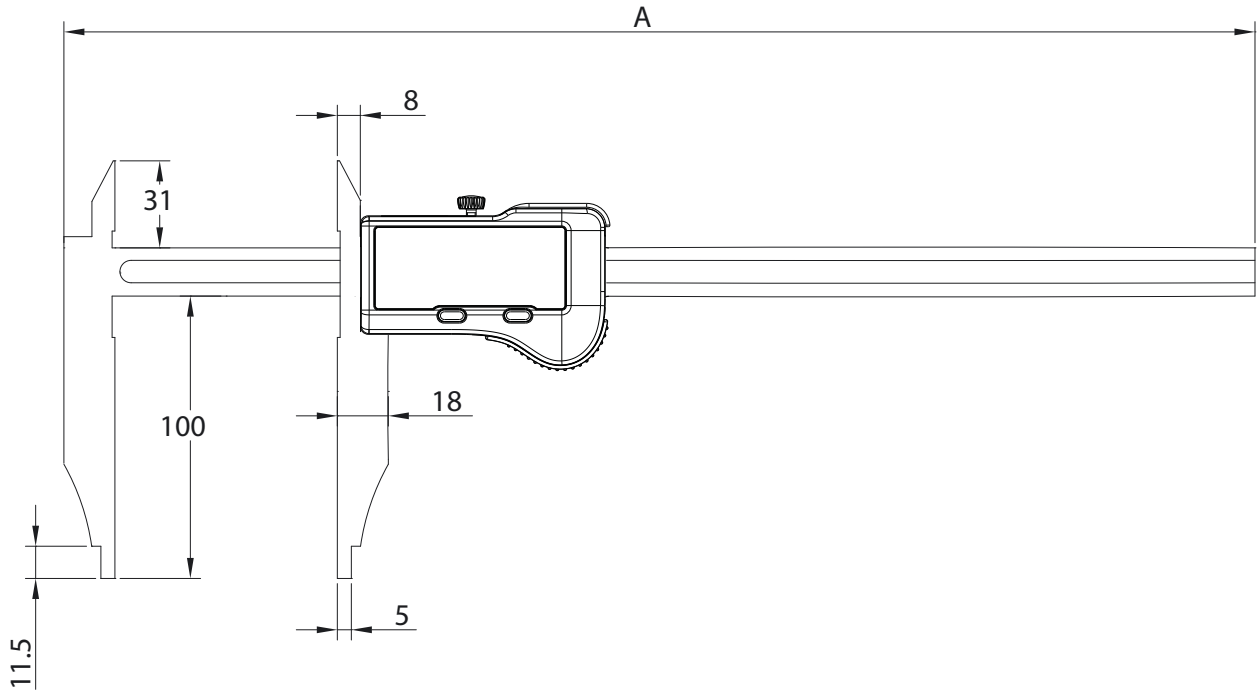


Caliper mid size

S_Cal EVO Form B

DIMENSIONAL DRAWING

MID SIZE CALIPER R5 WITH UPPER JAWS



C

TECHNICAL SPECIFICATIONS

		810-1556	810-1558
Measuring range	mm	300	500
Accuracy	mm	0.03	
Resolution	mm	0.01	
A	mm	425	525
Bar section	mm	17x5	
Protection rating according to IEC 60529		IP67	
Output data		Bluetooth® wireless technology*	
Functions		Zero setting, Preset (max 999.99), mm/inch, Hold, Data	
Smart Inductive Sensor		●	

* Up to 8 instruments connected per dongle #981-7100