



Depth gauge

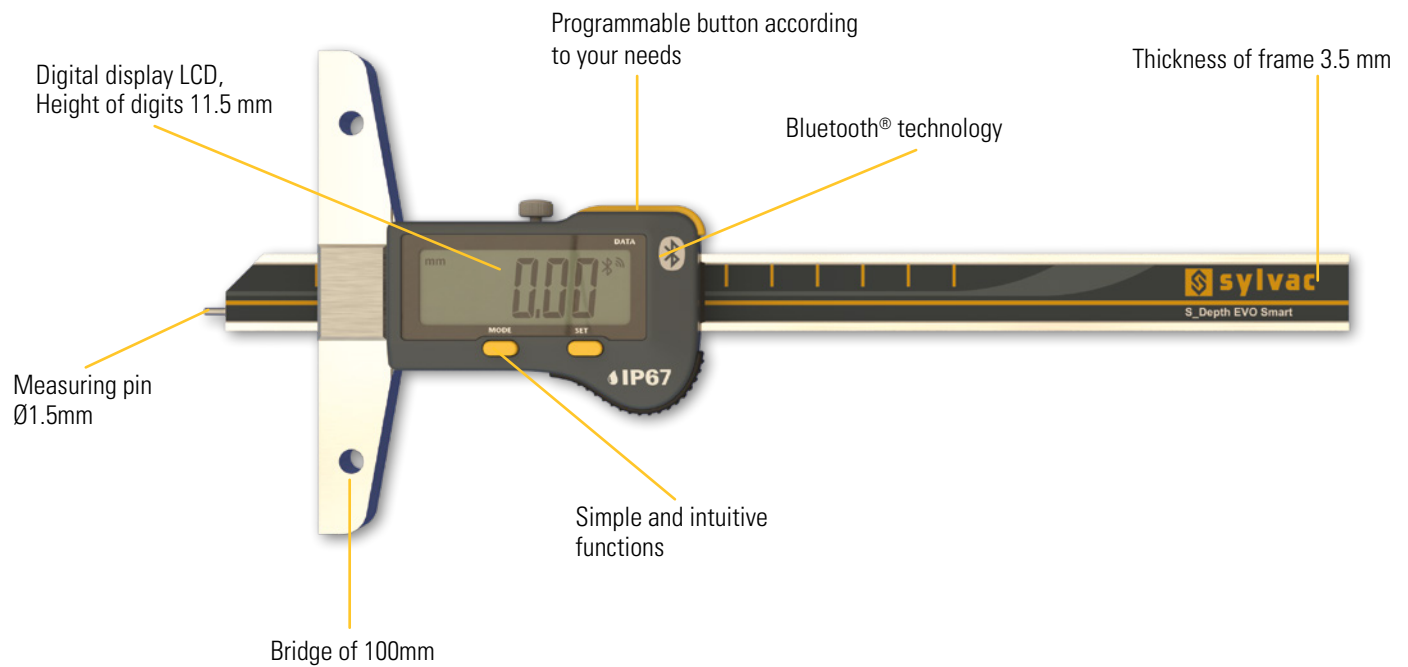
S_Depth EVO Smart

DESCRIPTION

PIN Ø1.5

- High-quality, ergonomic depth gauge with integrated Bluetooth® system
- 100 mm wide bridge with holes for the attachment of an additional wider bridge
- Hardened steel measuring pin Ø 1.5 mm x 5 mm
- 3.5 mm thick hardened and ground stainless steel frame
- New extra-large display unit with 11.5 mm high digits
- Convenient push button for sending data that can also be programmed with another function
- Memorising the home position even when the instrument is switched off
- Measuring range 150, 200 and 300 mm
- Protection class IP67

C



ISO 13385-2



Measuring pin Ø1.5mm

* SIS description on page 5

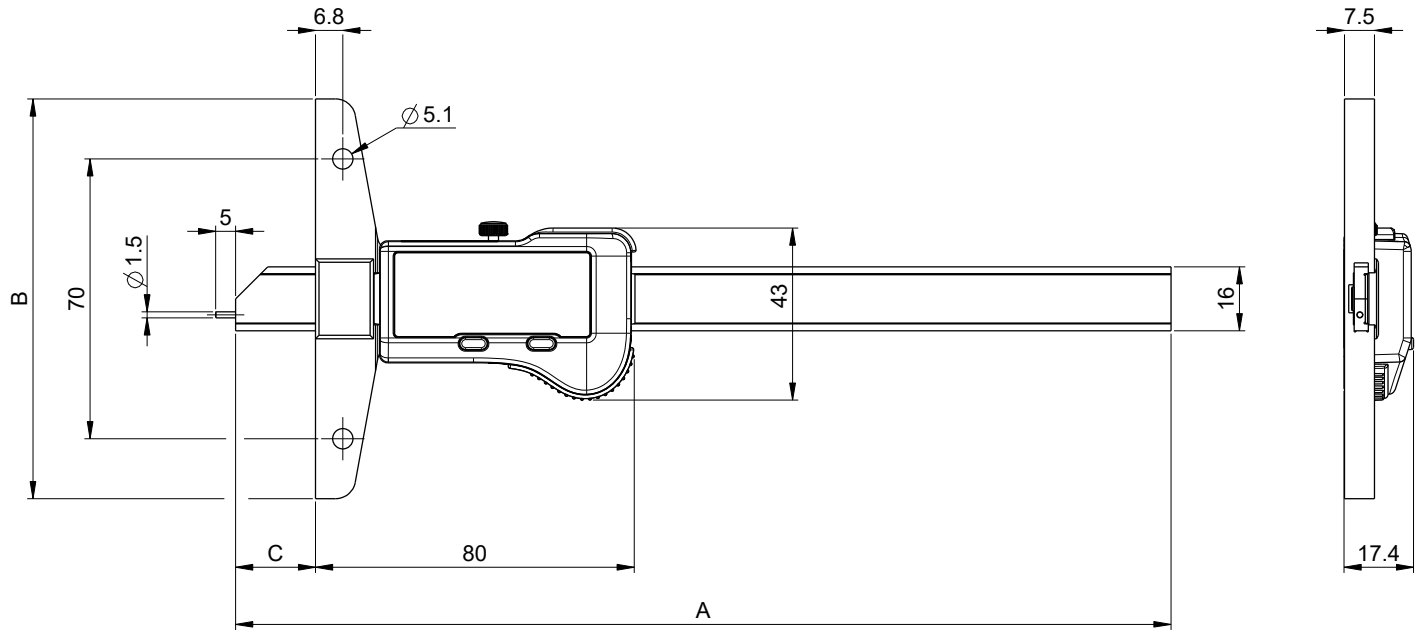


Depth gauge

S_Depth EVO Smart

DIMENSIONAL DRAWING

PIN Ø1.5



TECHNICAL SPECIFICATIONS

		812-1506	812-1526	812-1536
Measuring range	mm	150	200	300
Max. Error	µm	20 ¹⁾	30	30
Resolution	mm		0.01	
A	mm	234	284	384
B - Bridge	mm		100	
C	mm	0-152	0-202	0-302
Frame	mm		16x3.5	
Output data		Bluetooth® wireless technology*		
Functions		Zero setting, Preset (max 999.99), mm/inch, Hold, Data		
Smart Inductive Sensor		●		

¹⁾ > 100 mm : 30 µm / ISO13385-2

* Up to 8 instruments connected per dongle #981-7100