

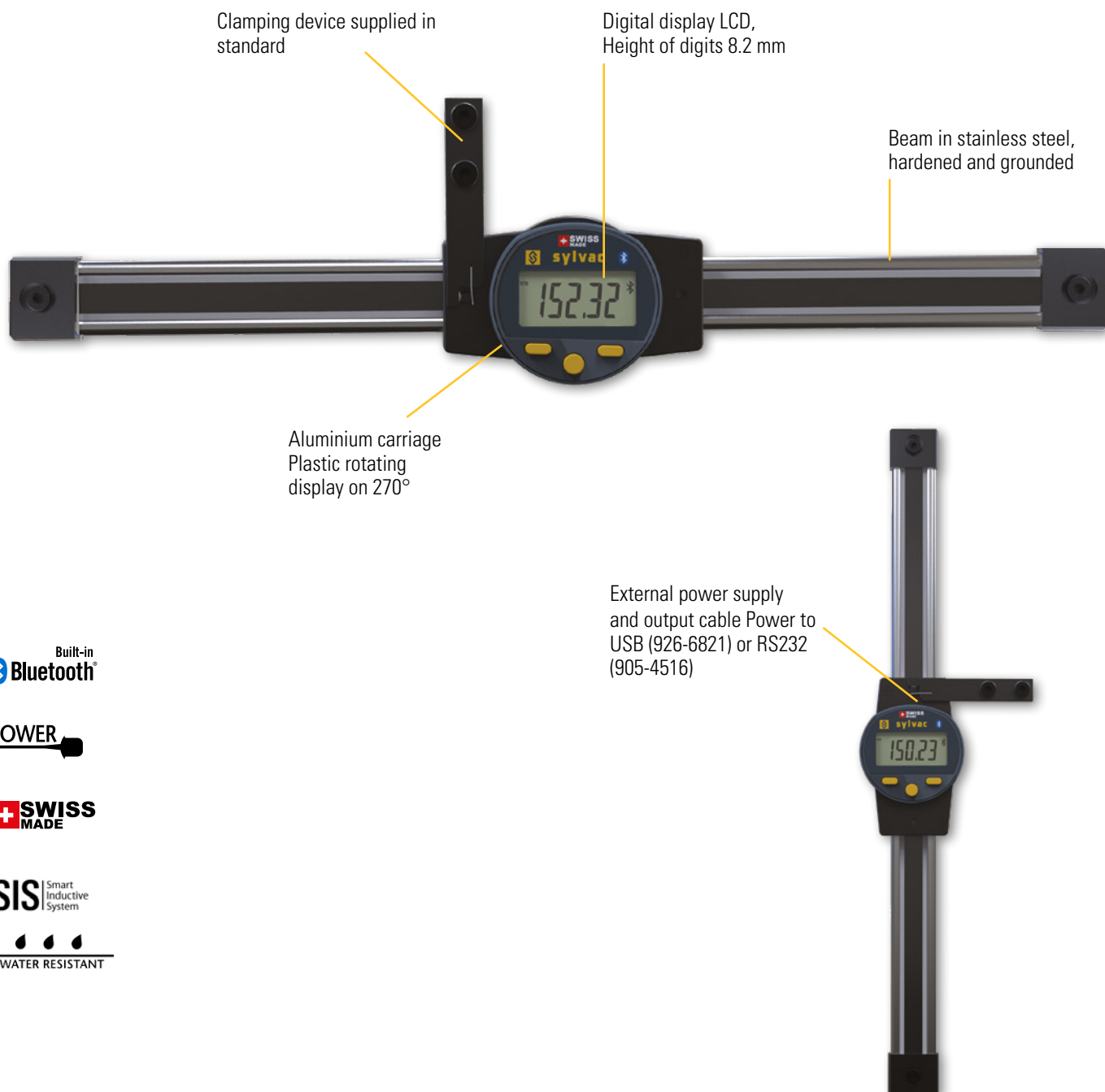


# Digital scales

# S\_Scale EVO Smart

## DESCRIPTION

- Digital scales with integrated Bluetooth® system
- Housing Ø 45 mm rotatable by 270° for horizontal or vertical use
- Flat pole 20 x 5 mm in hardened and ground stainless steel
- Digital display resolution 0.01 mm
- Three buttons, including the central button with selectable favourite function
- Supplied with a drive bar that can be positioned at the top or bottom of the display.
- Measuring range 150, 200, 300 and 600 mm
- Additional data output «Power», works without battery when connected via this cable
- IP54 protection

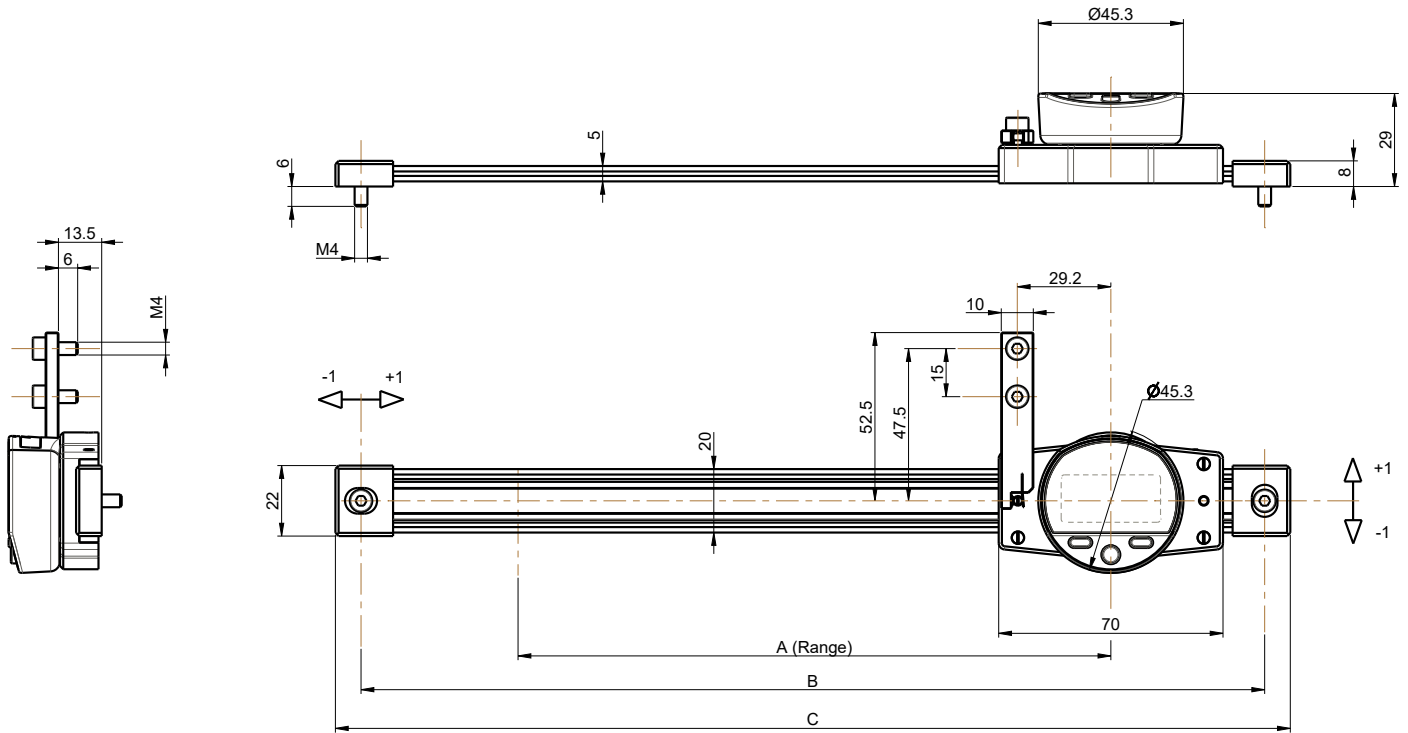


E

# Digital scales

# S\_Scale EVO Smart

## DIMENSIONAL DRAWINGS



## TECHNICAL SPECIFICATIONS

		816-1615	816-1620	816-1630	816-1660
Measuring range	mm	150	200	300	600
Type		H / V	H / V	H / V	H / V
Max. Error	µm	20	20	30	30
Repeatability <sup>1)</sup>	µm	10	10	10	10
Resolution mm		0.01	0.01	0.01	0.01
A	mm	185	235	335	665
B	mm	282	332	432	762
C	mm	298	348	448	778
Output data	Bluetooth <sup>®</sup> wireless technology* / USB / RS232 <sup>2)</sup>				
Selection of measuring direction	●				
PRESET function	●				
2 references	●				

<sup>1)</sup> ± 1 digit

<sup>2)</sup> see cables chapter

**\* Up to 8 instruments connected per dongle #981-7100**  
**More informations on How to use Bluetooth<sup>®</sup> leaflet SYL\_1401\_EN\_BT**